

Product Information



SYNTECH 3477HUR100P62

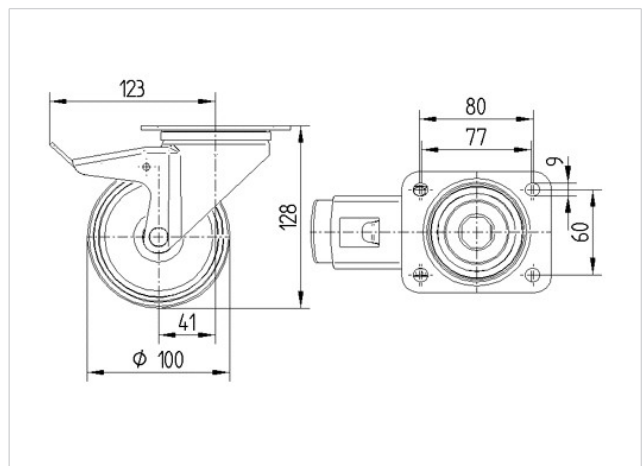
EAN 4031582305159

Swivel castor with total lock, tail end of castor, housing made of pressed steel, zinc-chromatised, double ball bearing swivel head, wheel axle with nut, dustguard. Hybrid-wheel "SYNTECH", wheel centre and tread made of Polyamide, with elastic solid rubber centre, noise reduced, roller bearing, plate fitting



Technical Data

Wheel diameter	100 mm
Width of Tread	36 mm
Size of Plate	105 x 85 mm
Plate hole centres	80/77 x 60 mm
Plate hole	9 mm
Offset	41 mm
Swivel Interference	246 mm
Overall height	128 mm
Temperature	- 20 / + 60 °C
Standard	EN 12532
Weight	1.178 kg
Dynamic Load capacity	160 kg
Static Load capacity	320 kg
Hardness of tread	D 75 Shore



Roll performance	+	+	+	+	+
Movement noise	+	+	+	+	+
Attrition	+	+	+	+	+
Corrosion resistance	+	+	+	+	+



SYNTECH
3477HUR100P62
EAN 4031582305159

